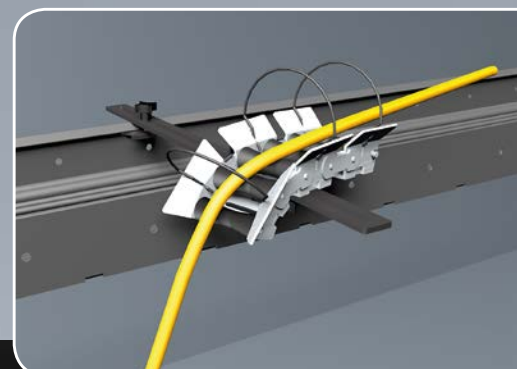
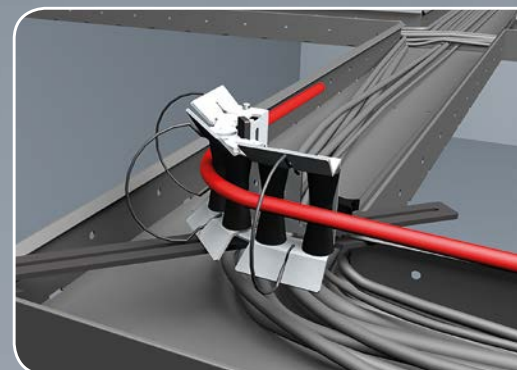
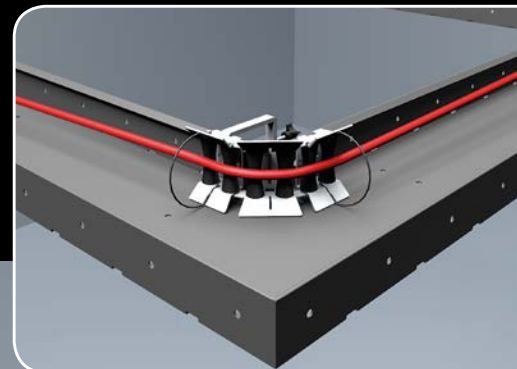
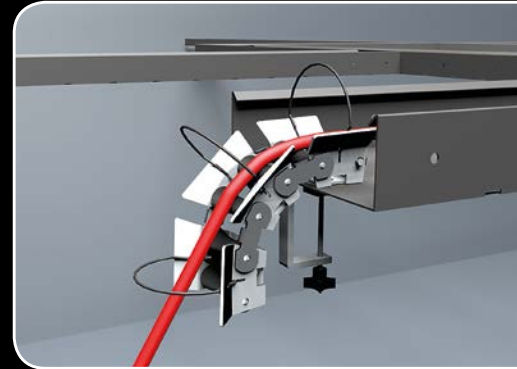


Worldwide innovation

An innovation in the cable pulling device technology

- suitable for all cable pulling devices
- quick and easy, with just one person
- reduced force expenditure
- no damage to cables, thus particularly suitable for cables in the field of data technology (for example, fiber optic cables)



Distributed by



haupa[®]

Cable pulling device „CableGo“ starter

Content in plastik case:

- 1 x basic module „CableGo“ + 3 wire brackets
- 1 x table clamp „CableGo“
- 1 x mounting bracket „CableGo“

Art. no. 143420

6-pcs.



Cable pulling device „CableGo“ profi

Content in plastik case:

- 3 x basic module „CableGo“ + 3 wire brackets
- 3 x table clamp „CableGo“
- 3 x mounting bracket „CableGo“
- 1 x connection set and several mounting parts „CableGo“

Art. no. 143422

14-pcs.



Cable pulling device „CableGo“ master

Content in plastik case:

- 5 x basic module „CableGo“ + 3 wire brackets
- 5 x table clamp „CableGo“
- 5 x mounting bracket „CableGo“
- 1 x connection set and several mounting parts „CableGo“

Art. no. 143424

17-pcs.



SysCon cable pulling device „CableGo“ starter

Content in SysCon stacking box art. 220372:

- 1 x basic module „CableGo“ + 3 wire brackets
- 1 x table clamp „CableGo“
- 1 x connection set and several mounting parts „CableGo“

Art. no. 143430

6-pcs.



SysCon cable pulling device „CableGo“ profi

Content in SysCon stacking box art. 220372:

- 3 x basic module „CableGo“ + 3 wire brackets
- 3 x table clamp „CableGo“
- 3 x mounting bracket „CableGo“
- 1 x connection set and several mounting parts „CableGo“

Art. no. 143432

14-pcs.

SysCon cable pulling device „CableGo“ master

Content in SysCon stacking box art. 220372:

- 5 x basic module „CableGo“ + 3 wire brackets
- 5 x table clamp „CableGo“
- 5 x mounting bracket „CableGo“
- 1 x connection set basic module „CableGo“

Art. no. 143434

17-pcs.

Basic module „CableGo“ + 3 wire brackets

Basic module for easy cable penetrations in corners and roundings.

Art. no. 143440

4-pcs.

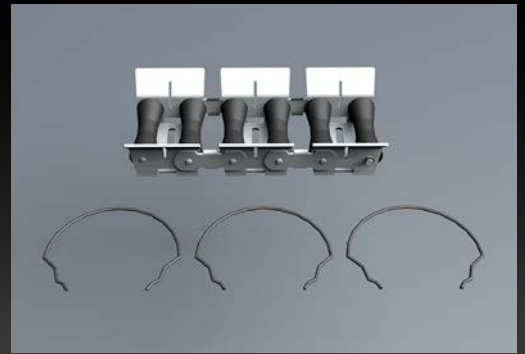


Table clamp „CableGo“

Table clamp for fixing basic modules.

Art. no. 143441

1-pcs.

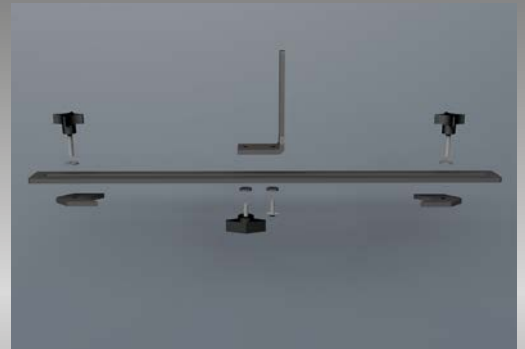


Mounting bracket „CableGo“

Mounting bracket for fixing basic modules.

Art. no. 143442

7-pcs.



Connection set basic module „CableGo“

Connection set for connecting several basic modules.

Art. no. 143443

2-pcs.



Set 3 wire brackets „CableGo“

Wire brackets for basic modules.

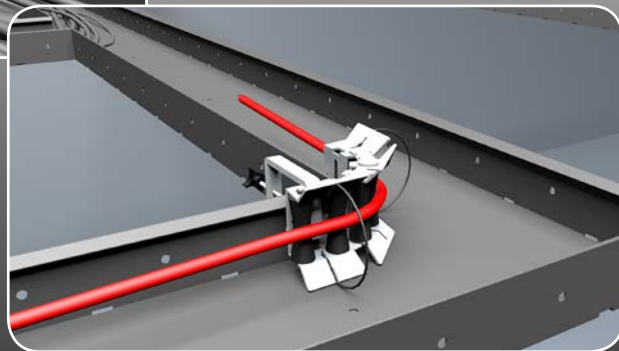
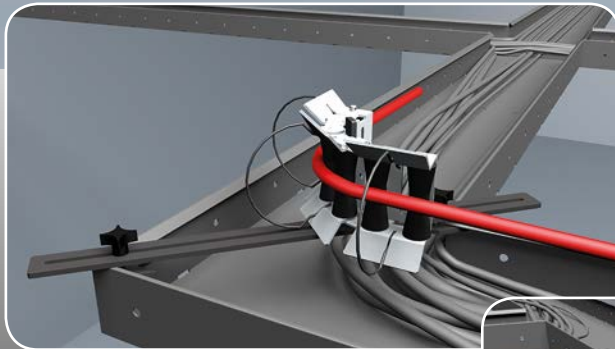
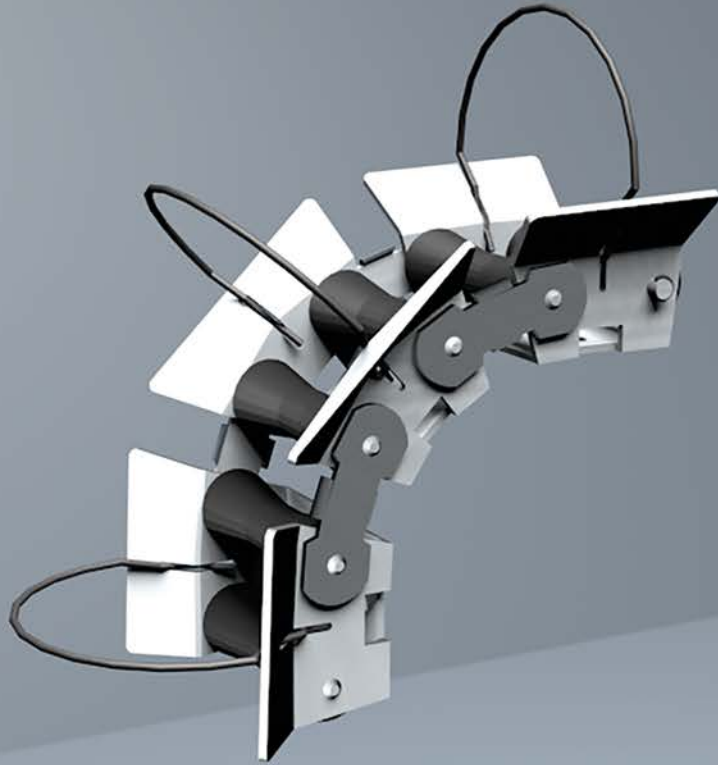
Art. no. 143444

3-pcs.



haupa[®]

...convincing solutions





HAUPA group
www.haupa.com

Distributed by


 20 Neilpark Drive
 East Tamaki
 Auckland, 2013
 p: +64 9 274 3340
 e: sales@transnet.co.nz
 w: transnet.co.nz





haupa

...convincing solutions